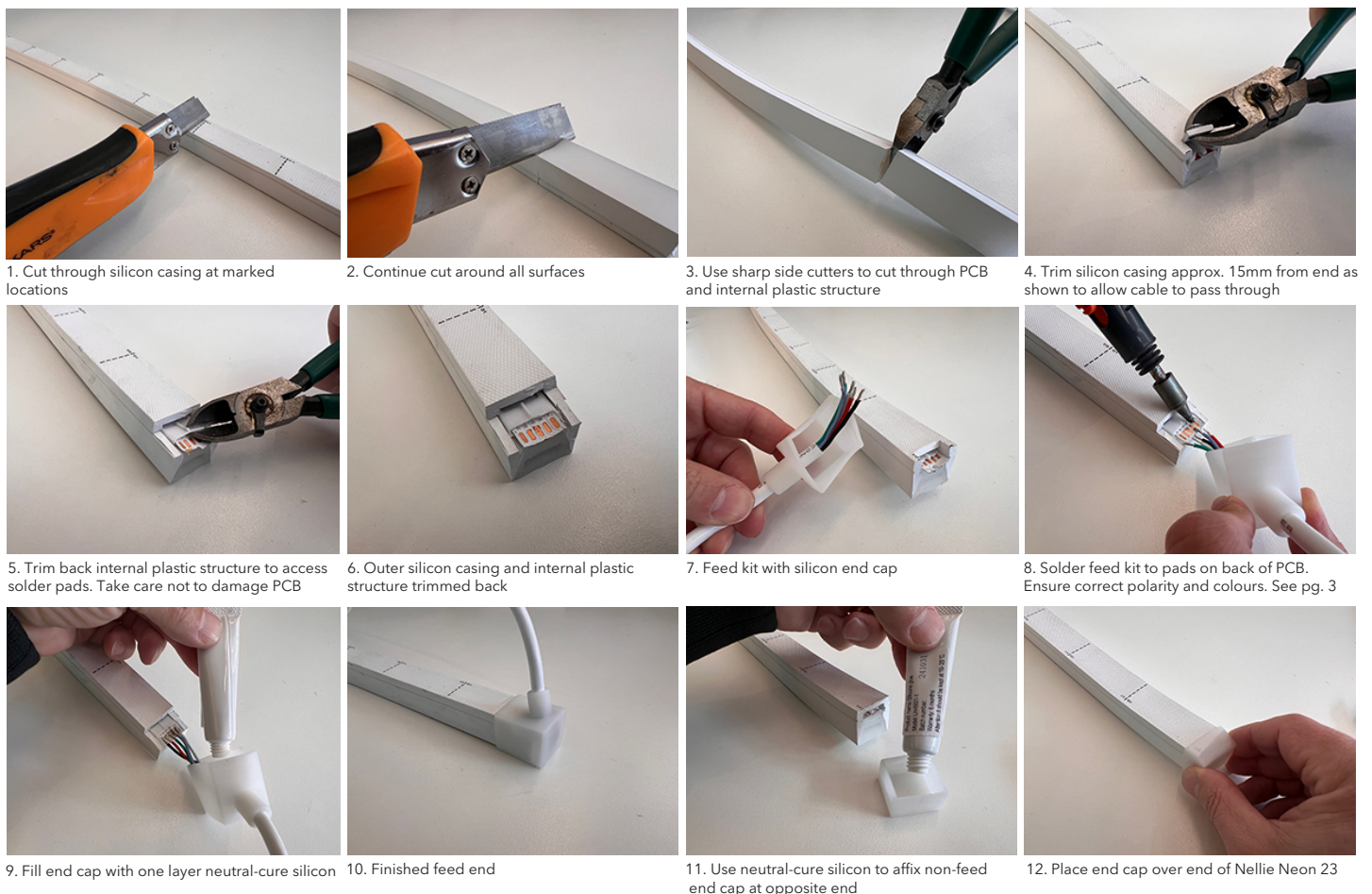
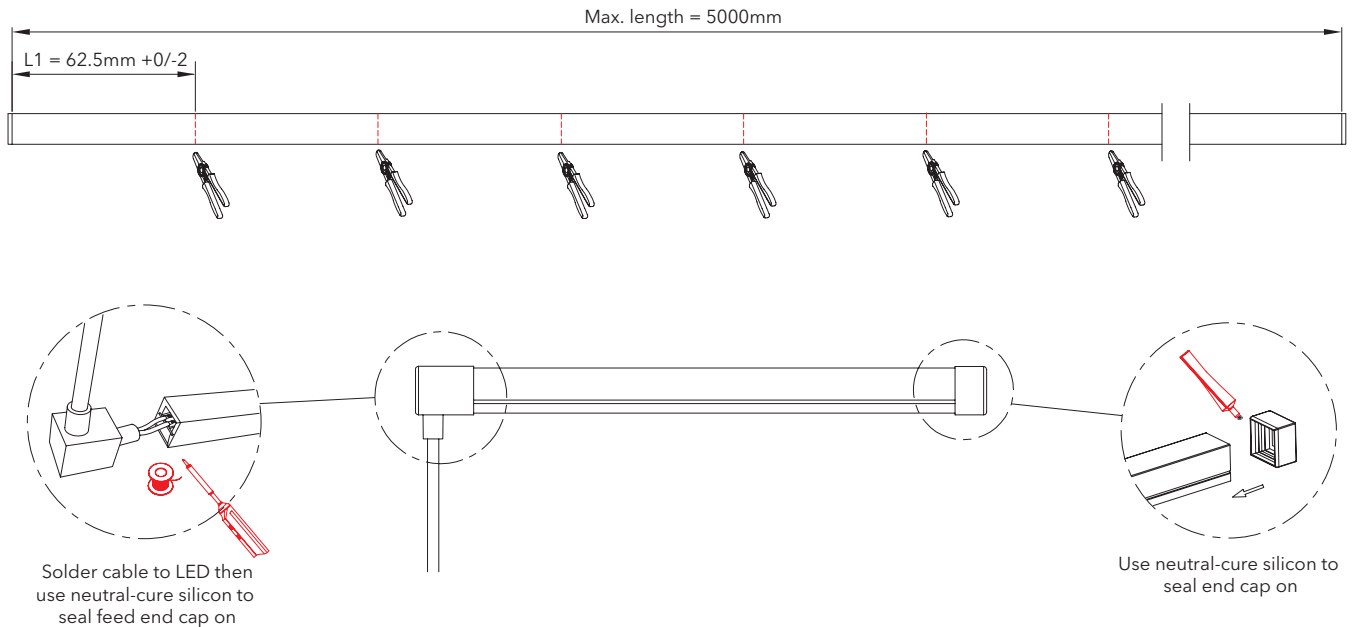
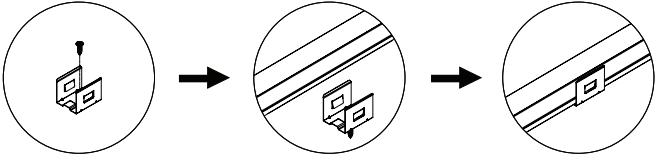

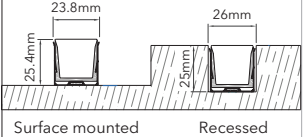
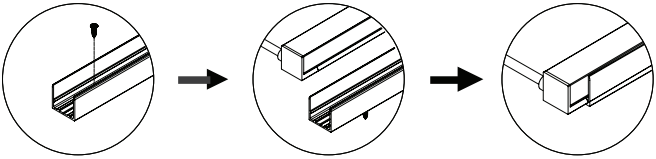

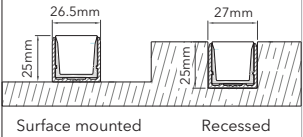
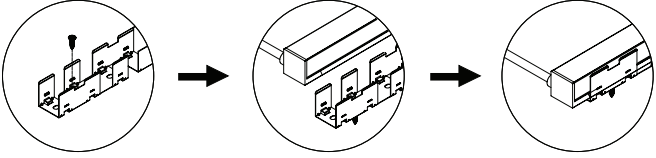

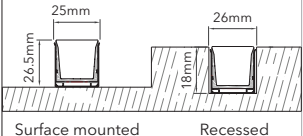


CUTTING & ASSEMBLY

**⚠** Ensure power is turned off before cutting. Cut only at positions marked on outer casing.

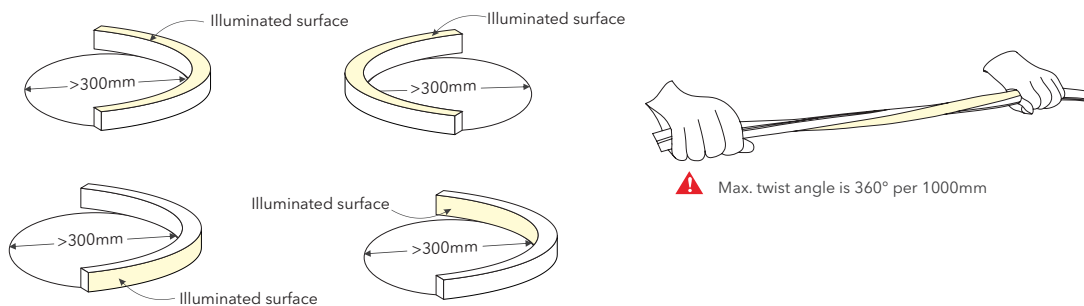


ASSEMBLY & INSTALLATION

<p>Installation using NN23-MC mounting clip</p>  	 <p>Surface mounted      Recessed</p>
<p>Installation using NN23-MP-2M mounting profile</p>  	 <p>Surface mounted      Recessed</p>
<p>Installation using NN23-FMP flexible mounting profile</p>  	 <p>Surface mounted      Recessed</p>

BENDING & TWISTING NELLIE NEON 23

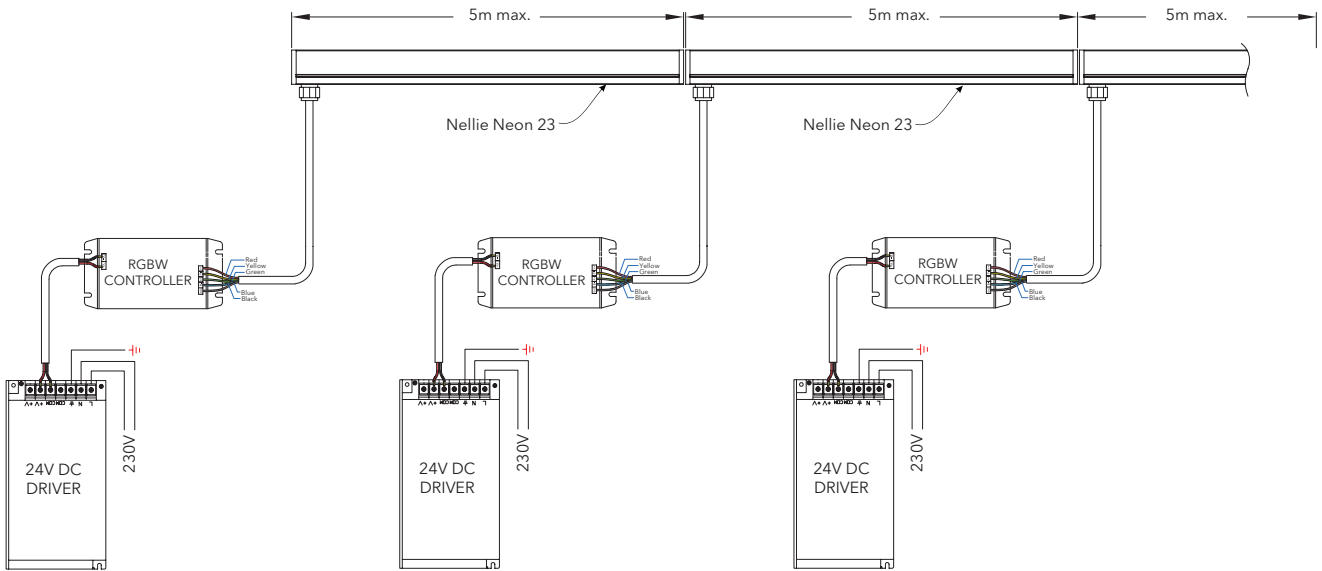
Take care when handling Nellie Neon and avoid irregular twisting and bending during installation. Note minimum bend & twist dimensions below.



To maintain 5 year warranty, Nellie Neon should be protected from direct sources of UV.  
Nellie Neon is suitable for installations under canopy or eave.

WIRING DIAGRAM

1. A power supply with 10% greater capacity than the luminaire is recommended.
2. Ensure power is off before connecting luminaire.
3. Ensure 5m maximum length of Nellie Neon 23 is not exceeded.



WIRING LEGEND

