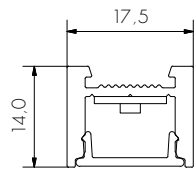
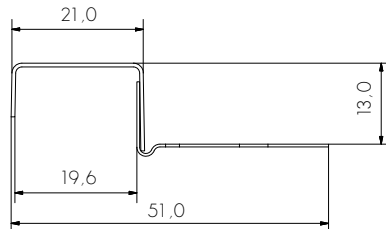


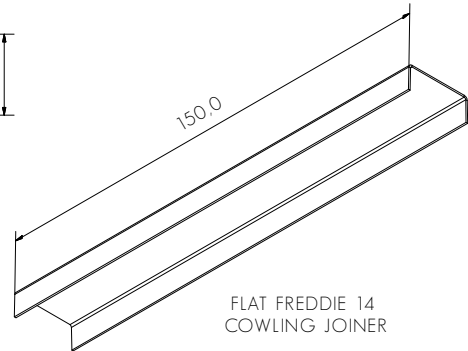
1 PRODUCT OVERVIEW



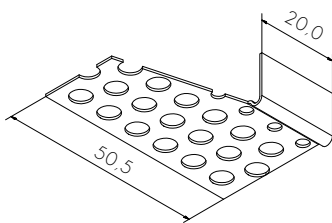
FLAT FREDDIE 14



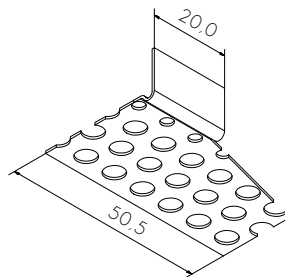
FLAT FREDDIE 14 CORNER COWLING



FLAT FREDDIE 14  
COWLING JOINER



FLAT FREDDIE 14  
COWLING END CAP, LEFT



FLAT FREDDIE 14  
COWLING END CAP, RIGHT



IMPORTANT NOTE: BEFORE FIXING COWLING TO CEILING, CHECK FOR DAMAGE TO COWLING. COWLINGS ARE FLEXIBLE AND ARE SUSCEPTIBLE TO TWISTING AND DISTORTION DURING SHIPPING. USE AN OFF-CUT OF FLAT FREDDIE 14 EXTRUSION TO CHECK COWLING FOR TRUE. THERE SHOULD BE APPROX. 1MM NEGATIVE BETWEEN THE EXTRUSION AND THE COWLING ON BOTH SIDES.

2 CREATE RECESS IN CEILING, INSTALL COWLING

L = COWLING LENGTH + 5MM (FOR COWLING END CAPS)  
W = 23MM MIN. - 28MM MAX.

1. CUT COWLING TO REQUIRED LENGTH.
2. IF REQUIRED, JOIN MULTIPLE LENGTHS OF COWLING TOGETHER USING JOINERS. (SEE FIG. 1).
3. INSTALL COWLING BY SCREWING TO TIMBER FRAMING. ENSURE THAT SCREW HEADS ARE AS FLUSH TO THE COWLING AS POSSIBLE AS THEY NEED TO BE PLASTERED OVER AT A LATER STEP. END CAPS SHOULD BUTT TO ENDS OF COWLING - DO NOT ATTEMPT TO FORCE END CAPS INSIDE COWLING.

SEE FIGS. 2 & 3 ON THE FOLLOWING PAGE.

FIG. 1 - FIX JOINER TO COWLING

AFFIX JOINER TO COWLING WITH RIVETS OR SELF-TAPPING SCREWS (E.G. 6GX12 CSK).

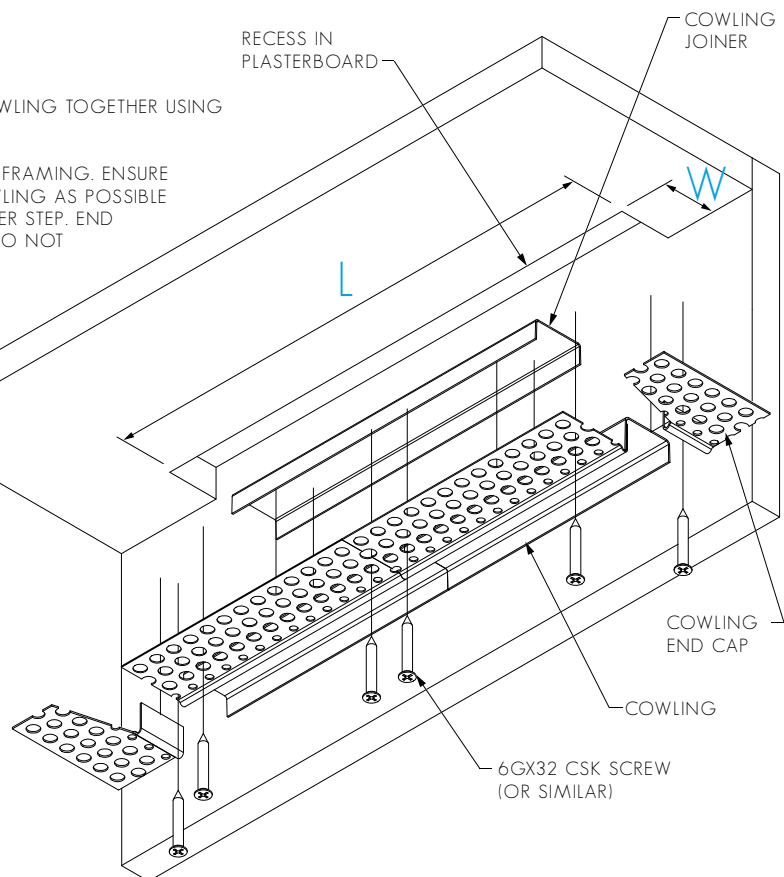
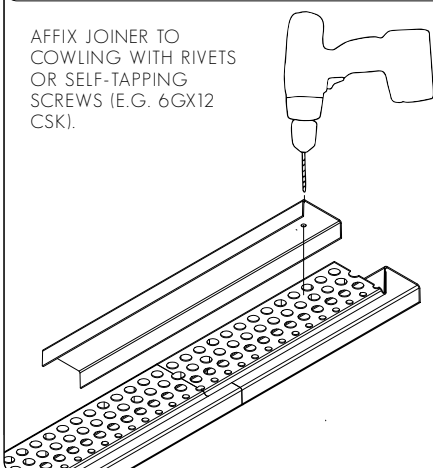


FIG. 2 - COWLING SECTION VIEW, PLASTERBOARD INSTALLATION

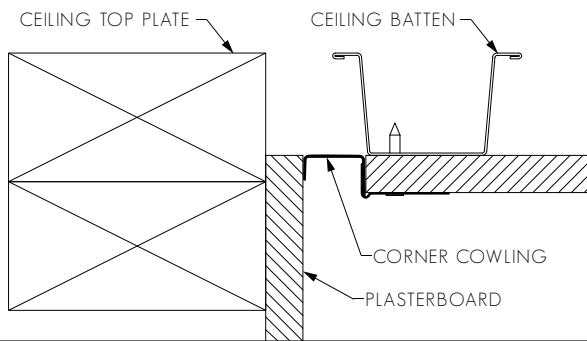
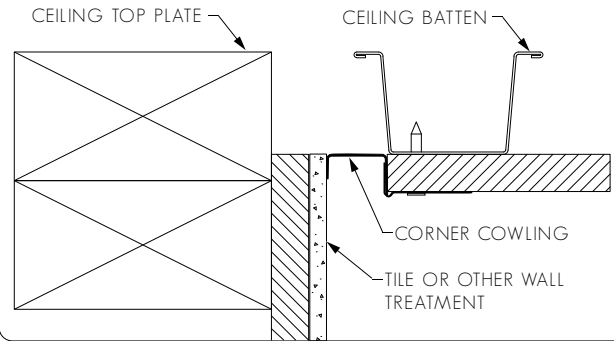


FIG. 3 - COWLING SECTION VIEW, TILE OR OTHER WALL TREATMENT



### 3 PLASTER AND PAINT COWLING

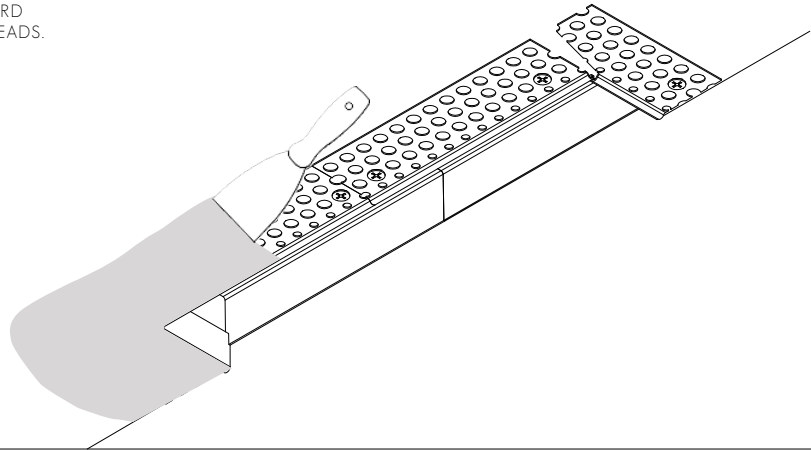
1. FEATHER PLASTER ACROSS FROM PLASTERBOARD TO COWLING, BEING SURE TO COVER SCREW HEADS.

PLASTER FINISH IS CRITICAL AS THIS LIGHT SOURCE MAY EXAGGERATE IMPERFECTIONS IN PLASTER FINISH. IT IS RECOMMENDED TO WASH A LIGHT SOURCE ACROSS SURFACE TO CHECK FOR IMPERFECTIONS IN PLASTER BEFORE COMPLETING.

3. PAINT PLASTER AND PLASTERBOARD.



BE SURE TO PAINT INNER EDGES OF COWLING.



### 4 INSTALL END CAPS, EXTRUSION AND MAKE ELECTRICAL CONNECTION

1. FEED LED STRIP TAILS (OR CABLE) THROUGH HOLE IN EXTRUSION. DO NOT INSTALL LED STRIP AT THIS POINT.

2. MAKE ELECTRICAL CONNECTION: CONNECT LED STRIP TAILS TO LED DRIVER.

3. INSERT END CAPS IN TO EXTRUSION.

4. IF USING MULTIPLE LENGTHS OF EXTRUSION, SLIDE EXTRUSIONS TOGETHER ON TO JOINERS OR BENDS AND LOCK TOGETHER WITH M3X3 GRUB SCREWS.

5. PRE-DRILL MOUNTING HOLES THROUGH COWLING USING A 3MM DRILL BIT.

6. SCREW EXTRUSION INTO COWLING USING 6GX12 CSK SELF-TAPPING SCREWS. SEE FIG. 4 ON FOLLOWING PAGE.

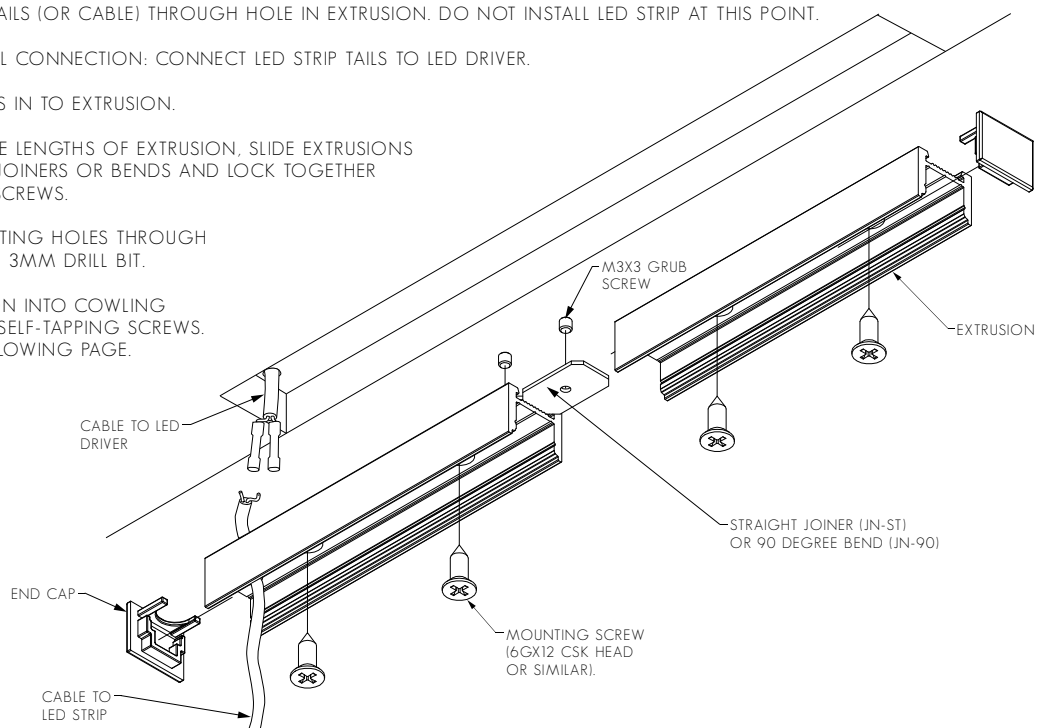
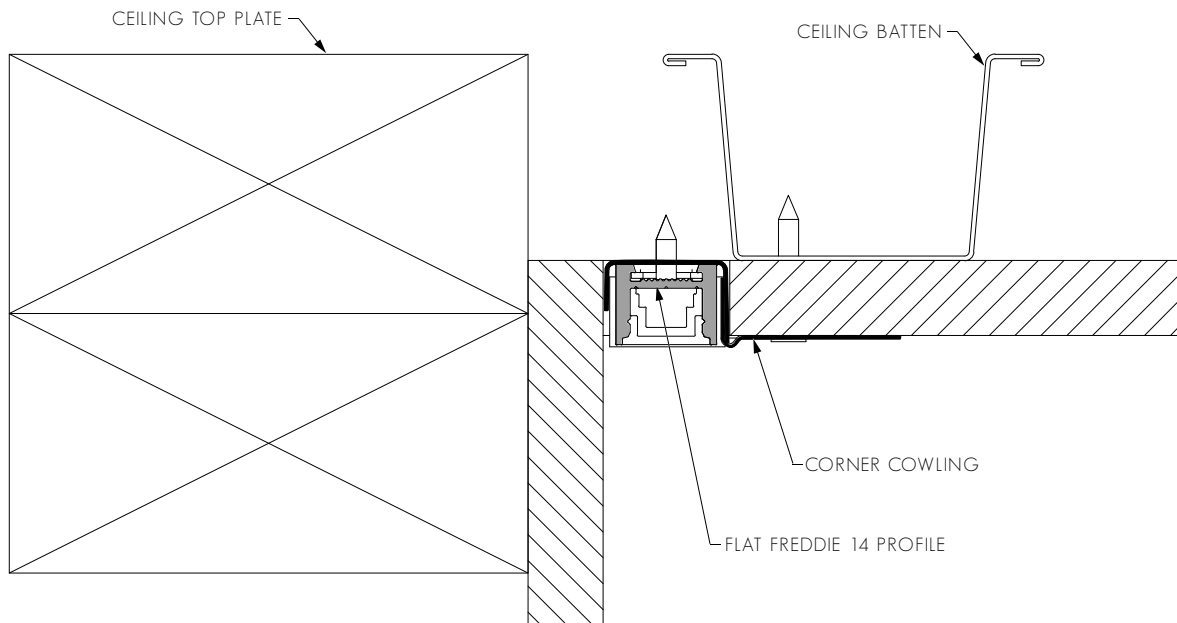


FIG. 4 - ENSURE EXTRUSION IS MOUNTED SECURELY



5 INSTALL LED STRIP AND DIFFUSER

1. IMPORTANT: BEFORE MOUNTING LED STRIP, CLEAN EXTRUSION USING AN ALCOHOL-BASED CLEANER SUCH AS ISOPROPYL ALCOHOL.

2. REMOVE BACKING FROM LED STRIP TO EXPOSE STICKY SURFACE. LAY LED STRIP INTO EXTRUSION. USE KAPTON TAPE AT EACH END OF THE LED STRIP TO PREVENT LED STRIP FROM SHORTING ON EXTRUSION.

3. CLIP DIFFUSER INTO EXTRUSION, ENSURING A FIRM CONNECTION (SEE FIG. 5).

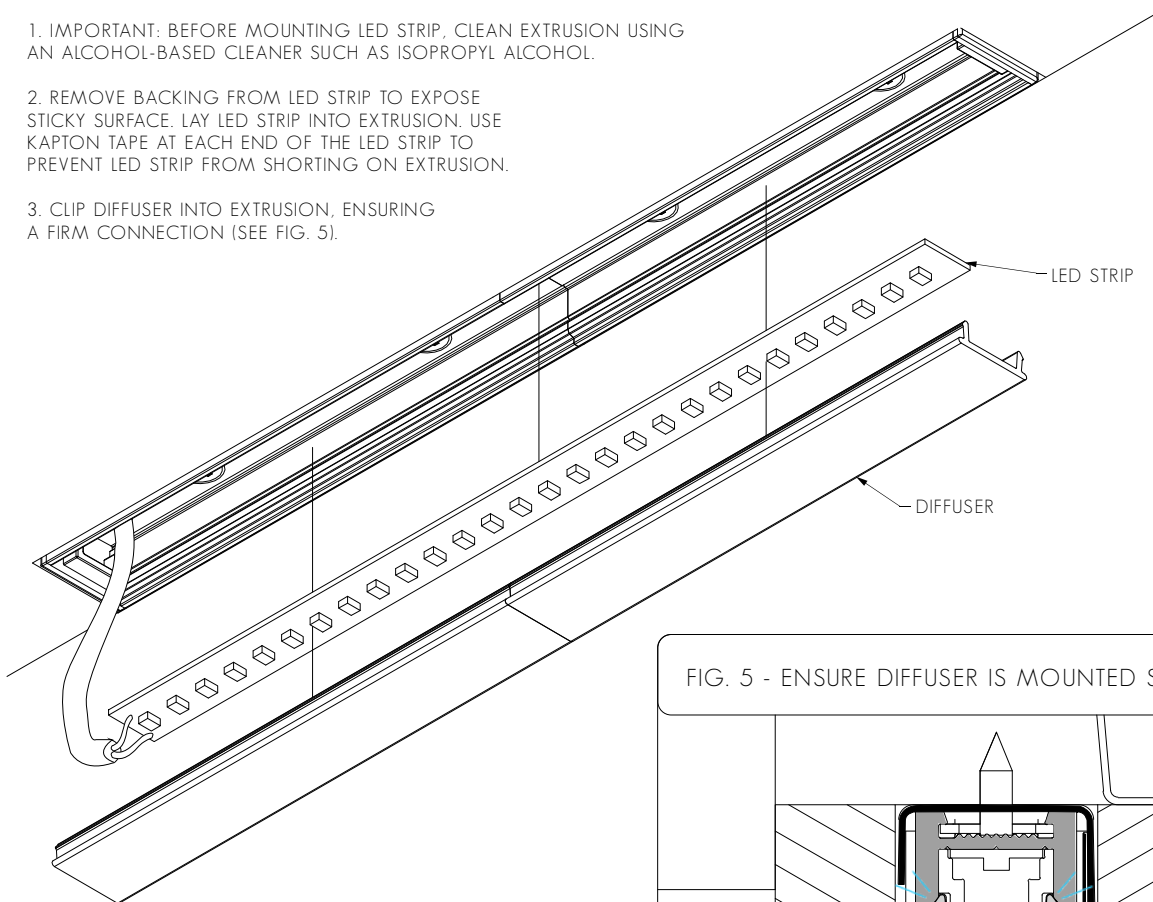


FIG. 5 - ENSURE DIFFUSER IS MOUNTED SECURELY

